

Project Name:	Location:	MFG: Hanover Lantern
Fixture Type:	Catalog No.:	Qty:

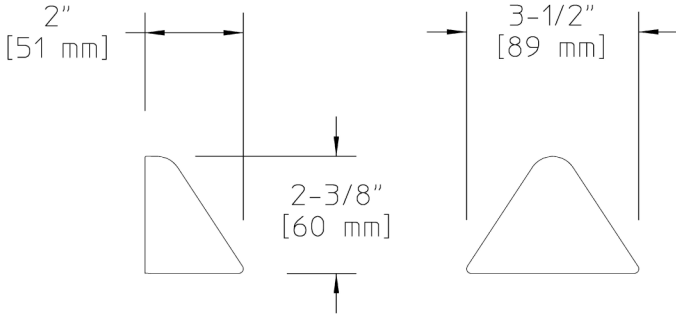
**Ordering Guide**

Example: DLA139BLK

<b>Product Code</b>	DLA139	Deck Light
<b>Finish</b>	BLK	Black
	WHT	White
	VGN	Verde
	BRZ	Bronze

**Measurements**

<b>Height</b>	2 3/8" (60mm)
<b>Width</b>	3 1/2" (89mm)
<b>Depth</b>	2" (51mm)
<b>Max. Weight</b>	0.75 lb.



**Specifications**

**Housing:**

Die-cast aluminum. Fasteners are 300 series stainless steel.

**Finish:**

Thermoset polyester powdercoat is electrostatically applied after a five-stage conversion cleaning process and bonded by heat fusion thermosetting.

**Lamping:**

12W maximum wedge base T3-1/4 lamp. 10W wedge base T3 1/4 (xenon) lamp is included with fixture. Lower wattage lamps are acceptable.

**Electrical Assembly:**

Wedge base socket type (T3-1/4 or T5). 12 volt fixture is prewired with 6-ft. pigtail of 18-2 AWG, 105° C, SPT-1 wire. Low voltage quick connector, (catalog #GLVC3) included for easy hook-up to the low voltage supply cable, not included. 12 volt system requires remote transformer, not included.

**Warranty:**

Three-year limited warranty.

**Certification:**

UL listed to U.S. safety standards for wet locations. cUL listed to Canadian safety standards for wet locations. Manufactured to ISO 9001:2000 Standards.