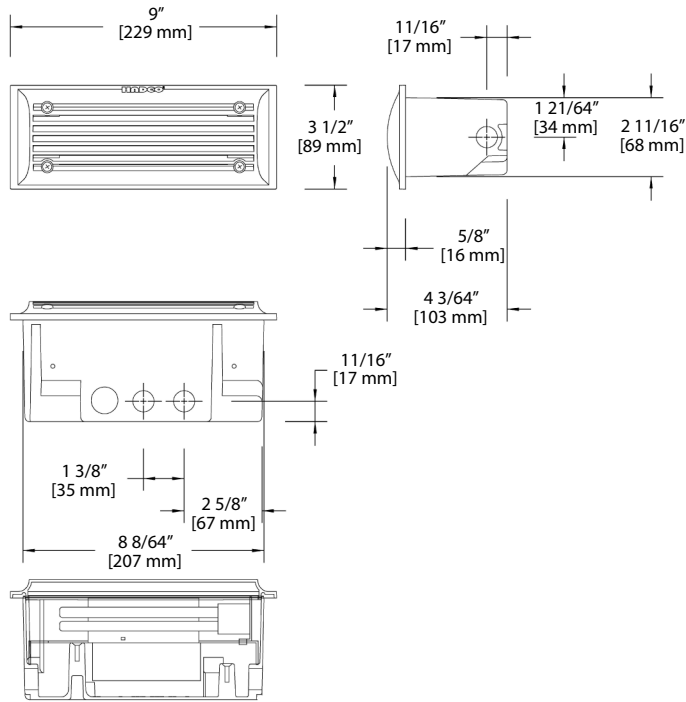


Project Name:	Location:	MFG: Hanover Lantern
Fixture Type:	Catalog No.:	Qty:



Ordering Guide

Example: AC143BLK

Product Code	AC143	Accent Light
Finish	BLK	Black
	BRZ	Bronze

Measurements

Height	3 1/2" (89mm)
Width	9" (229mm)
Depth	4 3/64" (103mm)
Max. Weight	3.5 lb.

Specifications

Housing:

Die-cast aluminum back box contains less than 0.3% copper to prevent corrosion in concrete or masonry applications. Horizontal louver faceplate is an injection molded RYTON® composite with frosted tempered glass and stainless steel screws.

Finish:

Zinc-rich primer and thermoset powdercoat for durability. Composite is textured, pressure formed, molded-in-color.

Lamping:

Medium base socket, 40W T10 lamp included.

Electrical Assembly:

120 volt fixture is pre-wired with 6-ft. pigtail of 18-2 AWG, 105° C, SPT-1 wire.

Warranty:

Three-year limited warranty.

Certification:

UL listed to U.S. safety standards for wet locations. cUL listed to Canadian safety standards for wet locations. Manufactured to ISO 9001:2000 Standards. ADA compliant when used in indoor and outdoor wall applications.

Accessories:

- AMAKEC Existing Stud Wall Mounting Kit.
- AMAKM Masonry Mounting Kit.
- AMAKNS New Stud Wall Mounting Kit.