



Solar LED Lighting

Solar-powered lighting can be installed anywhere with no space limitations.
No wires. No trenching. No additional transformer installation.

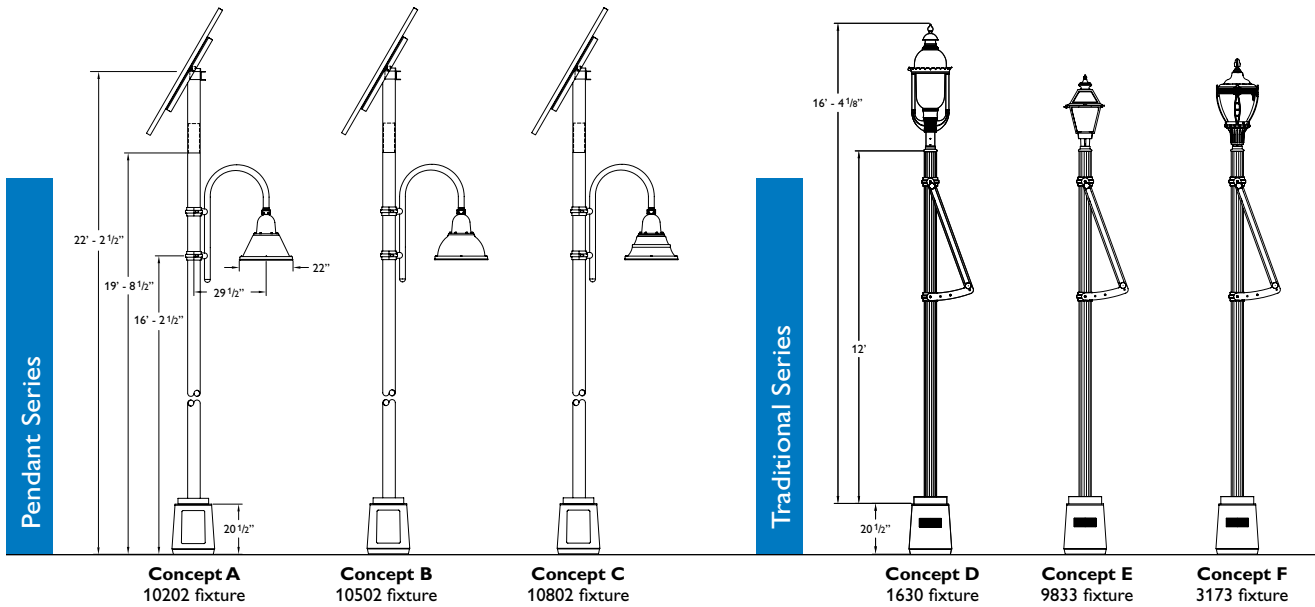
PHILIPS

Hanover

LANTERN

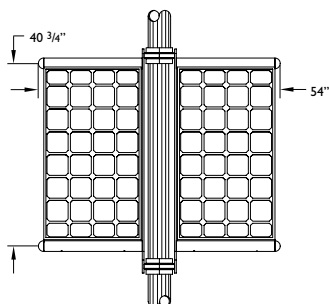
sense **and** simplicity

Solar LED Lighting

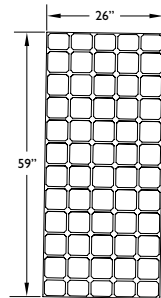


Solar LED Specifications

- **LEDS** - High-power Lumileds Rebels; 5000K CCT; 70 CRI; 60,000 hrs @ L70
or
Lighting-grade Nichia 5mm; 5000K CCT; 80 CRI; 70,000 hrs @ L95
- **LED DRIVERS** - Constant current driver precisely controls light levels.
- **SYSTEM VOLTAGE** - 12 volts DC
- **BATTERY** - Two 118 amp-hour sealed, maintenance-free batteries.
- **FIXTURE CONSTRUCTION** - Low copper, cast aluminum, polyester powder-coated for great durability.
- **POST TOP** - 5" flat flute pole with transformer base, aluminum construction.
- **WEATHER RESISTANT** - Rain, snow, sleet resistant, -20° to 110° F.
- **PROTECTION** - Electronic protection from overcharging and deep discharging battery.
- **SOLAR PANEL(S)** - High-power solar modules use poly-crystalline silicon solar cells. Junction box and a 1.3" to 1.8" deep aluminum frame. Panels are supplied pre-wired and overhead panels have a short length of flexible conduit to protect the wires to the light pole. 20 year power output warranty.
- **SUITABLE CLIMATES** - -50 degrees to +50 degrees latitude (i.e anywhere in continental US).
- **CONTROLS** - SO-BRIGHT Technology offering high efficiency current control, dusk-dawn sensing, 10 user-selectable profiles 10 battery run-time extension modes, adjustable light levels and adjustable low-voltage disconnect.
- **ACCESSORIES** - Add-ons are available for motion detection and data logging.



Traditional Solar Panel



Pendant Solar Panel

PHILIPS
Hanover
LANTERN

www.hanoverlantern.com
100 Craftway Drive, P.O. Box 128, Littlestown, PA 17340
Phone: 717-359-7131 • Fax: 717-359-8715

Printed in U.S.A. HL-1004-1011-5H