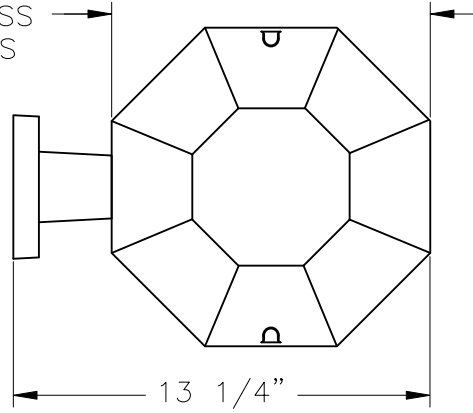
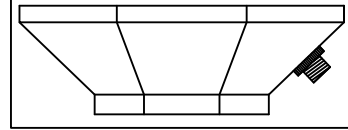


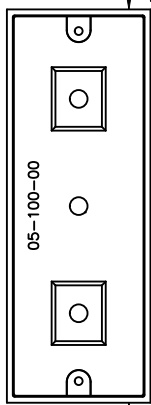
10 1/8"
ACROSS
FLATS



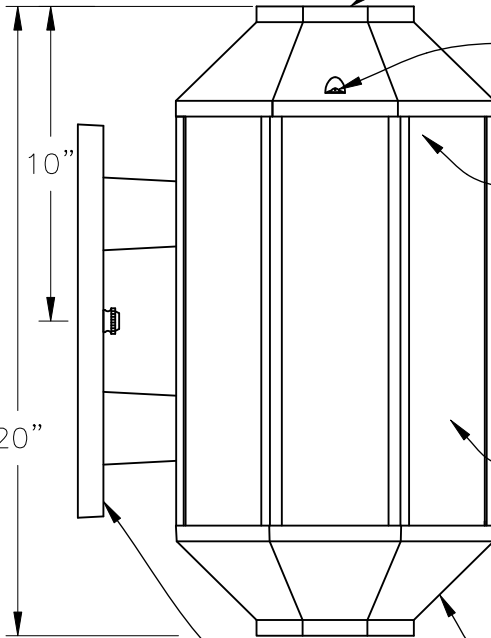
OPTIONAL
PHOTO CONTROL



4 5/8"



12 1/2"



10"

20"

CAST ALUMINUM OCTAGONAL
ROOF.

TWO BRASS MACHINE SCREWS
SECURE ROOF TO CAST
ALUMINUM TOP CAGE FRAME.

LED MODULE, SPECIFY OPTIONS
BELOW.

EIGHT EXTRUDED ALUMINUM
VERTICAL CAGE LEGS
WELDED TO TOP CAGE
FRAME AND CAGE BOTTOM.

SEVEN OPAL ACRYLIC (OA)
CAGE PANELS SECURE TO
CAGE BY SLOTS IN CAGE LEGS.
OTHER PANELS AVAILABLE,
CONTACT FACTORY.

CAST ALUMINUM OCTAGONAL
CAGE BOTTOM.

CAST ALUMINUM WALL BRACKET
ASSEMBLED TO SOLID ALUMINUM
REAR CAGE PANEL.

LED OPTIONS:

WATTAGE	COLOR TEMP.	DISTRIBUTION
_35W	_2700K	_TYPE III
_45W	_3000K	_TYPE V
_55W	_4000K	
	_5000K	

EPA = 1.45 (EFFECTIVE PROJECTED AREA)
LANTERN WILL BE PREWIRED AND TESTED.
ELECTRICAL COMPONENTS ARE U.L. LISTED.
MOUNTING HARDWARE IS SUPPLIED.

Drawing for illustration only - scale approximate

		TITLE: "SEATTLE" 2800 SERIES LED BRACKET LANTERN	
PH: (717) 632-6464 - FAX: (717) 969-2930 WWW.HANOVERLANTERN.COM			
SCALE: B4	DATE: 02/22/22	DWG BY: ATV	DWG. NO. 2809LED