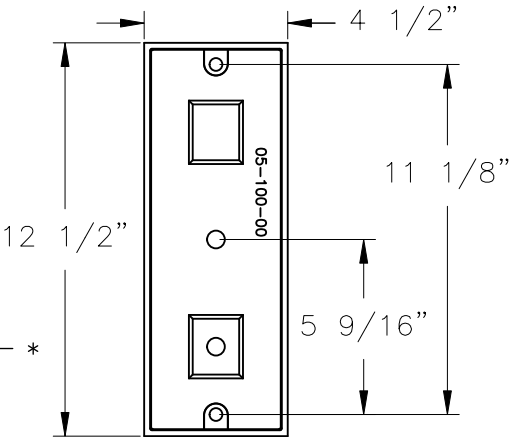


CAST ALUMINUM OCTAGONAL ROOF.

TWO 8-32 BRASS SCREWS SECURE ROOF TO CAGE RING. TO RELAMP, REMOVE SCREWS.

8 EXTRUDED ALUMINUM CAGE LEGS WELDED TO TOP CAGE RING AND BOTTOM CAGE.

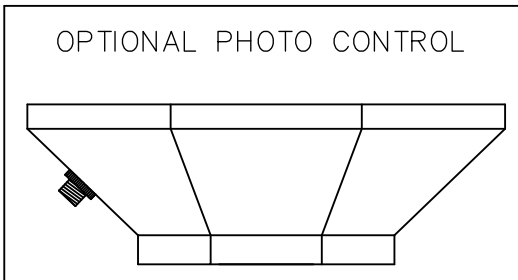
CAST ALUMINUM WALL BRACKET WELDED TO SOLID ALUMINUM REAR CAGE PANEL.



7 OPAL ACRYLIC (OA) CAGE PANELS SECURE TO SLOTS IN CAGE LEGS. (OTHER PANELS AVAILABLE-CONTACT FACTORY).

LED MODULE, SPECIFY OPTIONS BELOW.

CAST ALUMINUM CAGE BOTTOM. BALLAST AND COMPONENT PARTS ARE HOUSED INSIDE. (CUSTOMER MUST SPECIFY WATTAGE AND VOLTAGE).



*TWO 3/8" X 2 1/2" S.ST'L. LAG BOLTS WITH 3/8" X 1 3/4" LAG SHIELDS SECURE LANTERN TO WALL. CENTER MOUNTING SUPPLIED FOR MOUNTING TO OUTLET BOX. (CONTRACTOR MUST USE BOTH MOUNTING METHODS)

LED OPTIONS:

WATTAGE	COLOR TEMP.	DISTRIBUTION
_35W	_2700K	_TYPE III
_45W	_3000K	_TYPE V
_55W	_4000K	
	_5000K	

EPA = 3.03 (EFFECTIVE PROJECTED AREA)
 LANTERN WILL BE PREWIRED AND TESTED.
 ALL ELECTRICAL COMPONENTS ARE U.L. LISTED.
 ALL MOUNTING HARDWARE SUPPLIED.

Drawing for illustration only - scale approximate

		TITLE:	
PH: (717) 632-6464 - FAX: (717) 969-2930 WWW.HANOVERLANTERN.COM		"SEATTLE" 2900 SERIES LED BRACKET LANTERN	
SCALE:	DATE:	DWG BY:	DWG. NO.
B4	02/23/22	ATV	2909LED