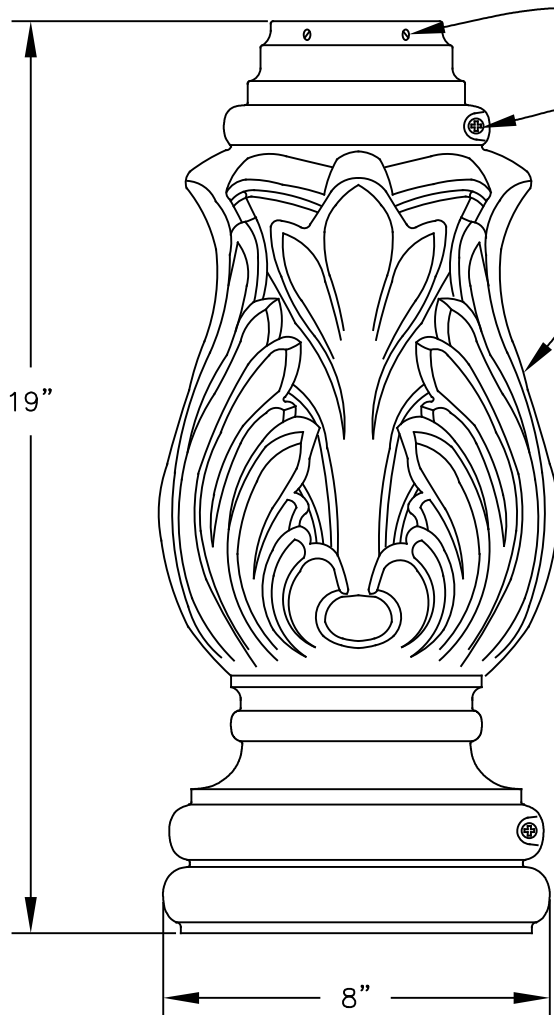


BASE CAN BE USED WITH ANY
3" DIA. DIRECT BURIAL POST



1/4-20 X 3/8" S.ST'L SET
SCREW

8-32 X 1/2" PHILLIPS S.ST'L
PAN HEAD SCREW

2 PC. CAST ALUMINUM
DECORATIVE WRAP AROUND
BASE ASSEMBLY WITH 4 EA.
8-32 PHILLIPS PAN HEAD
SCREWS TO HOLD HALVES
TOGETHER. 4 EA. 1/4-20
SET SCREWS FOR LOCKING
BASE TO POST. ALL
HARDWARE IS SUPPLIED

Drawing for illustration only - scale approximate

HEIGHT	19"	APPROVAL SIGNATURE:
WIDTH	8" DIA.	FINISH: _____
PROJECTION		PANELS: _____
TOP TO OUTLET		OPTIONS: _____

Hanover
LANTERN

425 E. MIDDLE ST. HANOVER PA 17331
PH: (717) 632-6464 - FAX: (717) 969-2930

SCALE: 1=4	DATE: 08/22/97	DWG BY: BLL
---------------	-------------------	----------------

TITLE: DEC. 2 PC. CAST ALUM. LEAF WRAP AROUND BASE
DWG. NO. 135-3