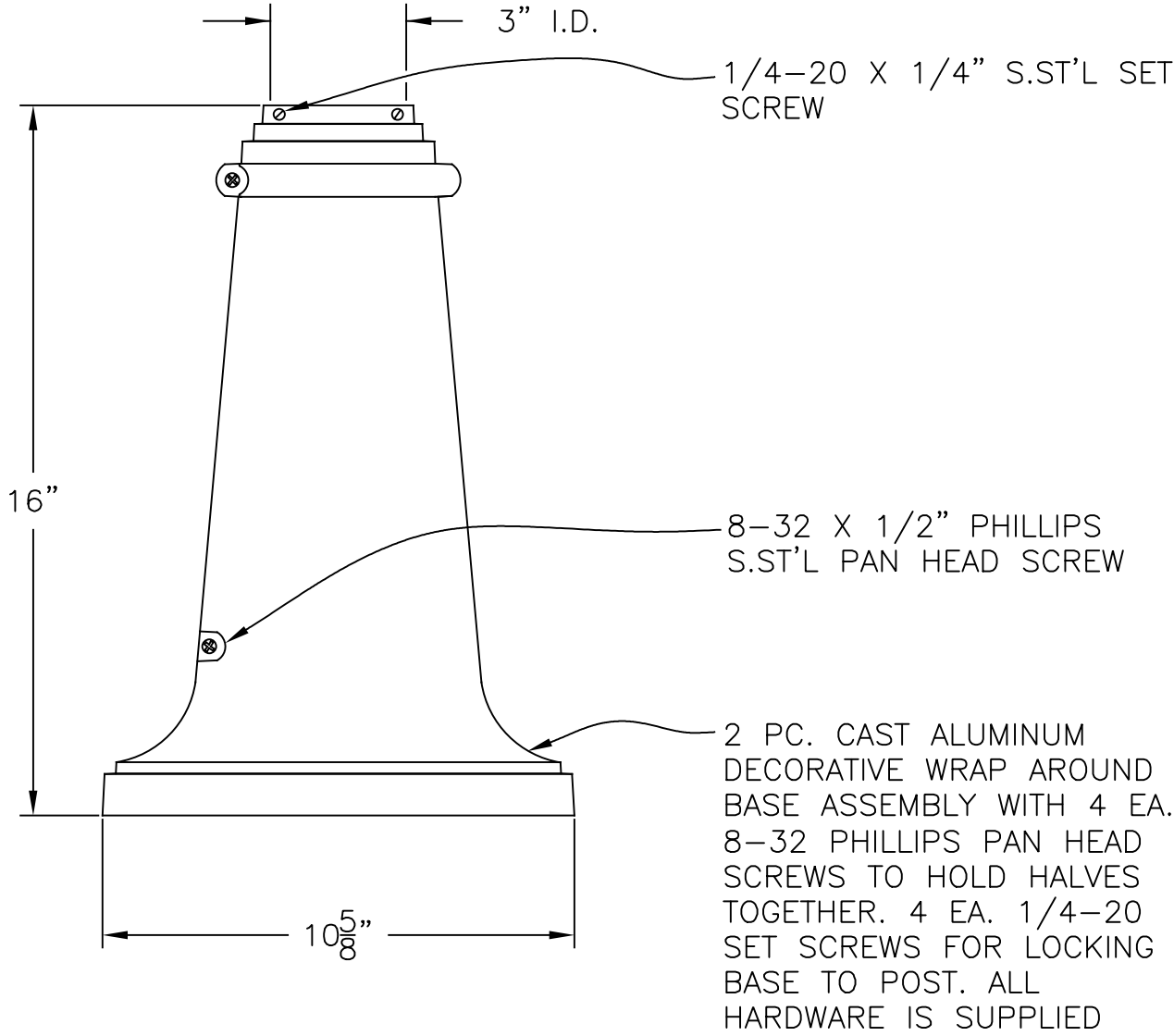


BASE CAN BE USED WITH ANY
3" DIA. DIRECT BURIAL POST




1/4-20 X 1/4" S.ST'L SET
SCREW

8-32 X 1/2" PHILLIPS
S.ST'L PAN HEAD SCREW

2 PC. CAST ALUMINUM
DECORATIVE WRAP AROUND
BASE ASSEMBLY WITH 4 EA.
8-32 PHILLIPS PAN HEAD
SCREWS TO HOLD HALVES
TOGETHER. 4 EA. 1/4-20
SET SCREWS FOR LOCKING
BASE TO POST. ALL
HARDWARE IS SUPPLIED

Drawing for illustration only - scale approximate

HEIGHT	16"	APPROVAL SIGNATURE:		TITLE:	CONTEMPARY 2 PC. CAST ALUMINUM WRAP AROUND BASE
WIDTH	10-5/8"	FINISH:		<small>425 E. MIDDLE ST. HANOVER PA 17331 PH: (717) 632-6464 - FAX: (717) 969-2930</small>	DWG. NO.
PROJECTION	XXXXXX	PANELS:	SCALE:	DATE:	DWG BY:
TOP TO OUTLET	XXXXXX	OPTIONS:	1=4	10/13/97	TLS