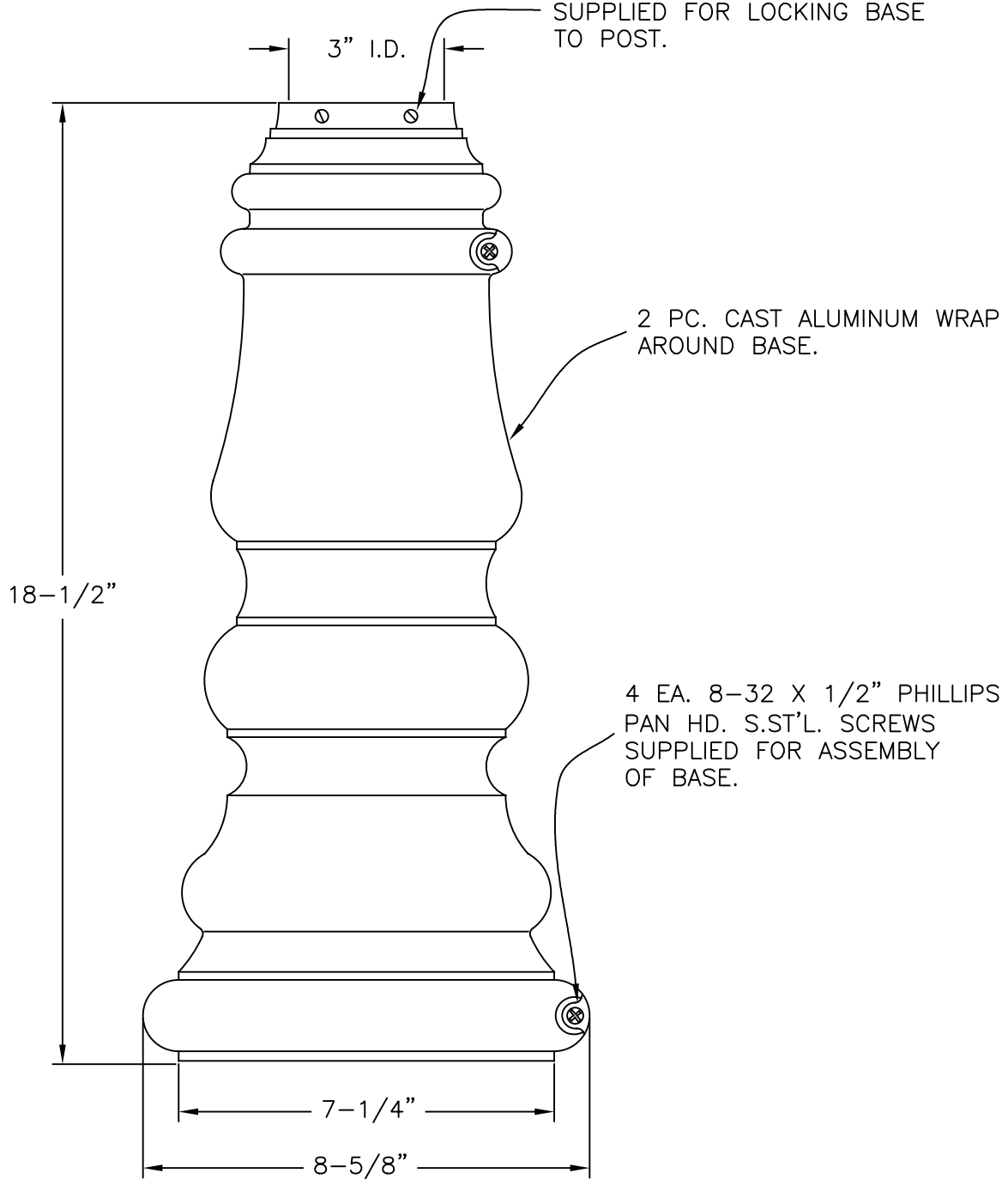


BASE CAN BE USED WITH ANY 3" DIRECT BURIAL POST.

4 EA. 1/4-20 S.ST'L SET SCREWS
SUPPLIED FOR LOCKING BASE
TO POST.



2 PC. CAST ALUMINUM WRAP
AROUND BASE.

4 EA. 8-32 X 1/2" PHILLIPS
PAN HD. S.ST'L. SCREWS
SUPPLIED FOR ASSEMBLY
OF BASE.

Drawing for illustration only - scale approximate

HEIGHT	18-1/2"
WIDTH	8-5/8"
PROJECTION	XXXXXX
TOP TO OUTLET	XXXXXX

Hanover
LANTERN

425 E. MIDDLE ST. HANOVER, PA 17331
PH: (717) 632-9464 - FAX: (717) 669-2930

SCALE: 1=2 DATE: 08/20/97 DWG BY: TLS

TITLE:
DECORATIVE 2 PC.
CAST ALUMINUM
WRAP AROUND BASE

DWG. NO.
138-3