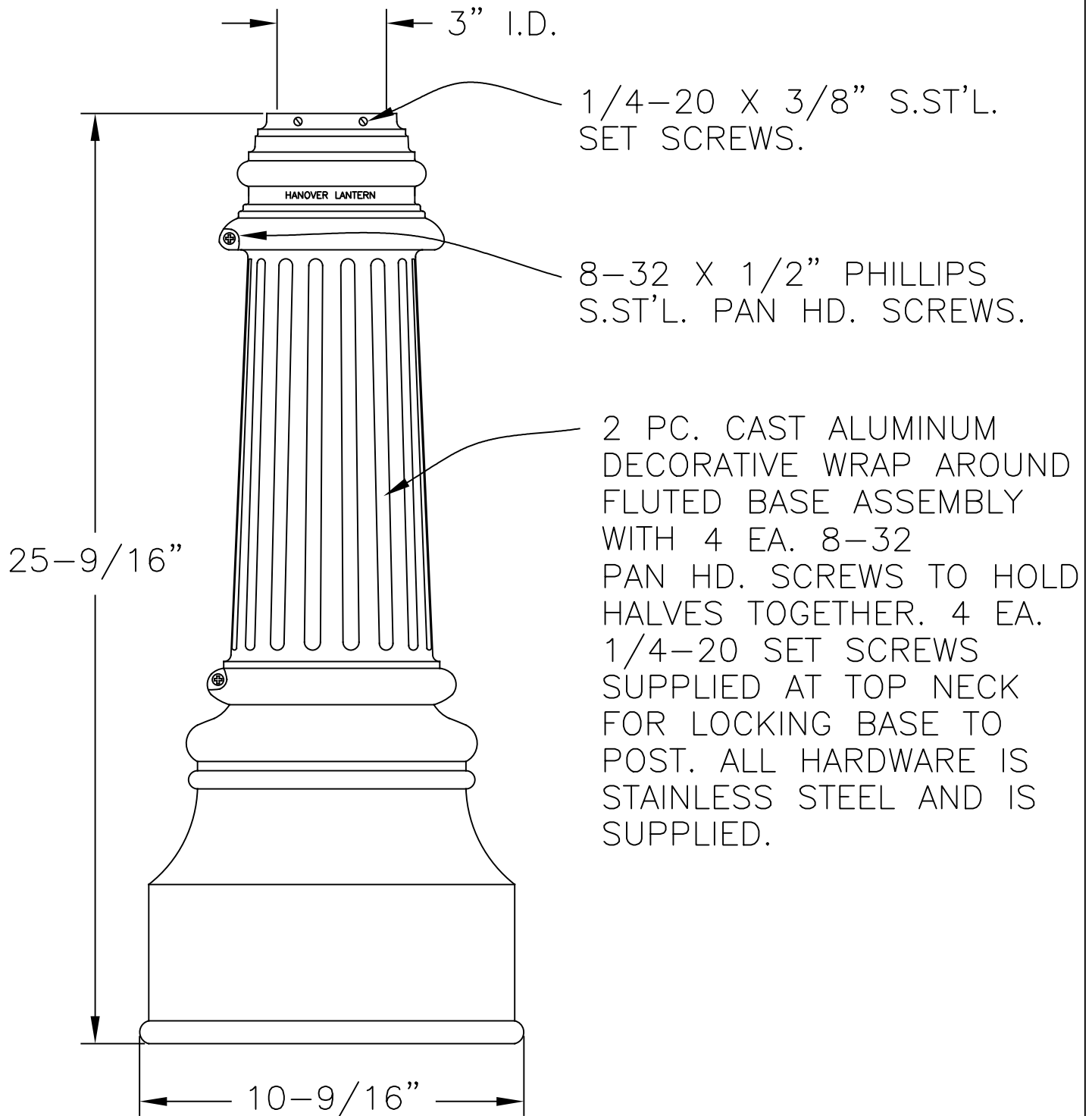



BASE CAN BE USED WITH ANY 3" DIRECT BURIAL POST



Drawing for illustration only - scale approximate

HEIGHT	25-9/16"	APPROVAL SIGNATURE:	 <p>425 E. MIDDLE ST. HANOVER PA 17331 PH: (717) 632-6464 - FAX: (717) 969-2930</p>	TITLE:	DECORATIVE WRAP AROUND BASE
WIDTH	10-9/16"	FINISH: _____		SCALE:	
PROJECTION	XXXXXX	PANELS: _____	DATE:	DWG BY: TLS	
TOP TO OUTLET	XXXXXX	OPTIONS: _____	1=4		08/21/97