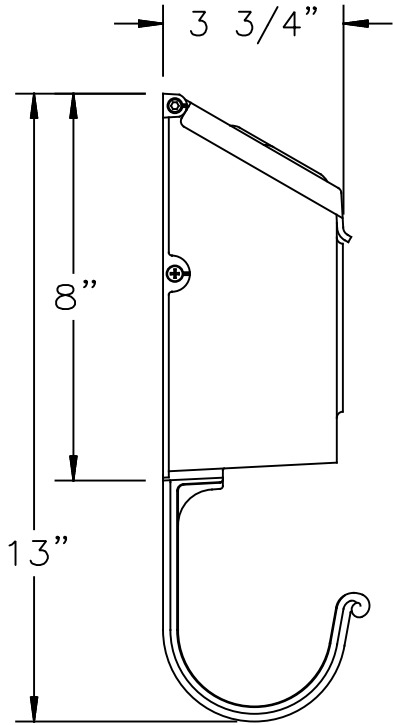
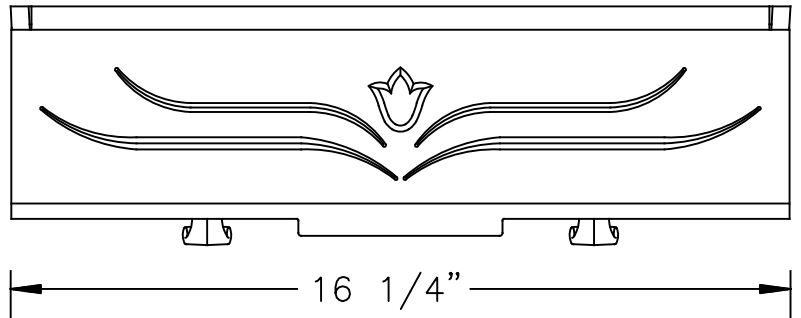


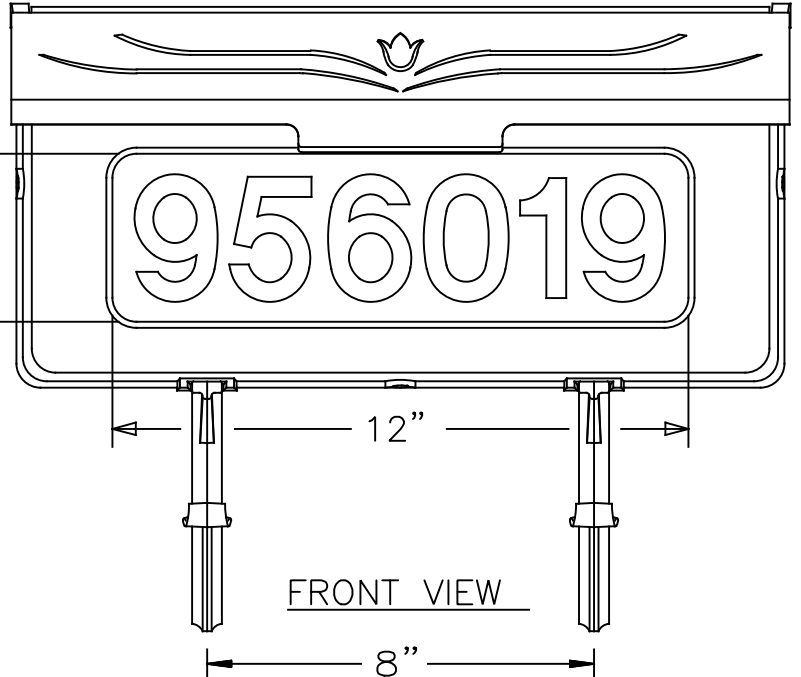
SIDE VIEW



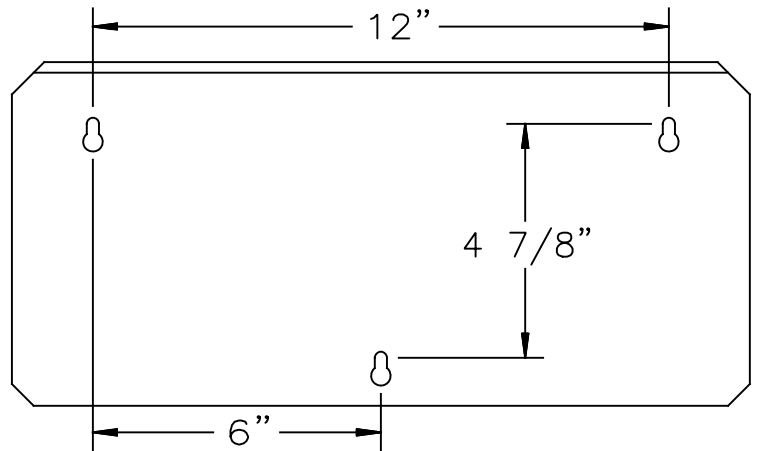
TOP VIEW



3 1/2"



FRONT VIEW



MOUNTING HOLE LOCATION

3 PIECE MAILBOX ASSEMBLY.  
 TOP CAST ALUMINUM FLIP LID IS  
 HINGED FOR ACCESS TO MAIL. MAIN  
 HOUSING IS CAST ALUMINUM WITH  
 3 1/2" HIGH X 12" WIDE LETTERING  
 AREA. (MAXIMUM 6 LETTERS  
 OR NUMBERS) CONTACT FACTORY  
 FOR LETTER AND NUMBER TYPES. 2  
 CAST ALUMINUM SCROLL BRACKETS  
 SECURED WITH 2 S.ST'L SCREWS.  
 REAR OF BOX IS GALVANIZED G60  
 SHEET STEEL. 3 KEYWAY SLOTS  
 SUPPLIED IN REAR FOR MOUNTING  
 TO WALL. 3 #10 S.ST'L. SCREWS  
 WITH PLASTIC LIPPED SCREW  
 ANCHORS SUPPLIED TO SECURE  
 BOX TO WALL. (CUSTOMER  
 MUST SUPPLY (3) 1/4" DIA.  
 X 1 1/2" DEEP HOLES). (SEE  
 TEMPLATE FOR DIMENSIONS AND  
 MOUNTING INSTRUCTIONS). 3  
 S.ST'L PAN HEAD SELF TAPPING  
 SCREWS HOLD ASSEMBLY TOGETHER.

Drawing for illustration only – scale approximate

HEIGHT	13"	APPROVAL SIGNATURE:
WIDTH	16 1/4"	FINISH: _____
PROJECTION	4 1/4"	PANELS: _____
TOP TO OUTLET		OPTIONS: _____

SCALE: 1=4    DATE: 05/08/97    DWG BY: DLS

TITLE: WALL BRACKET MAILBOX WITH FLIP LID AND SCROLL BRACKETS
DWG. NO. 185-1