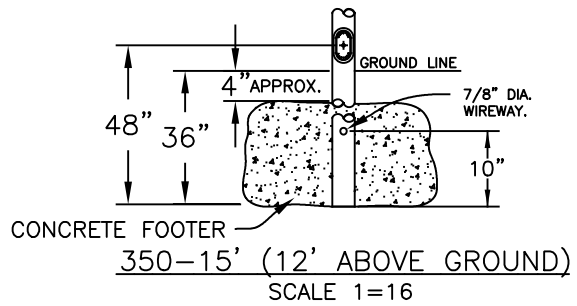
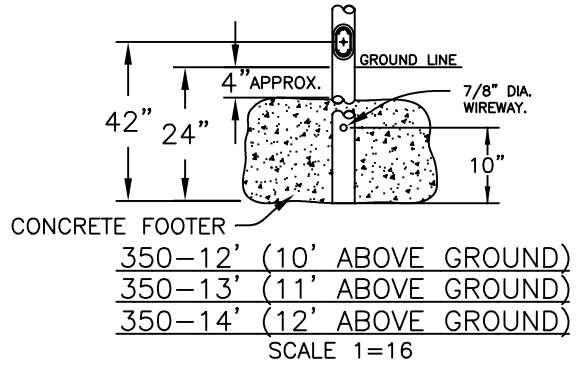
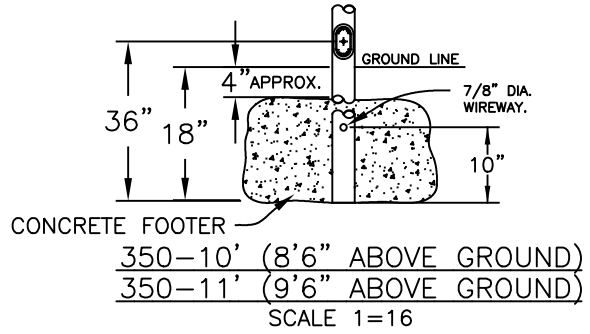
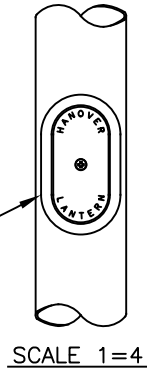


8'-6"



3" DIA. x .125" WALL SMOOTH ALUMINUM TUBING.

REMOVABLE ALUMINUM DOOR WITH 10-32 S.ST'L. SCREW AND BAR LATCH MECHANISM. GROUND LUG WELDED TO REAR OF DOOR OPENING. OPENING OF HAND HOLE IS 2" X 4" OBLONG. (DOOR SUPPLIED ON ALL POSTS LISTED.)



GROUND LINE

POST	ACTUAL HEIGHT
350-10	8'-6" (SHOWN)
350-11	9'-6"
350-12	10'
350-13	11'
350-14	12'
350-15	12'

Drawing for illustration only - scale approximate

HEIGHT	8'-6"
WIDTH	3" DIA.
PROJECTION	
TOP TO OUTLET	



TITLE:
DIRECT BURIAL POSTS

SCALE: 1=8	DATE: 04/08/02	DWG BY: ATV	DWG. NO. 350-10
---------------	-------------------	----------------	--------------------