

8'-6"

4" SQ. x .125" WALL
SMOOTH ALUMINUM TUBING.

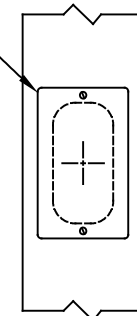
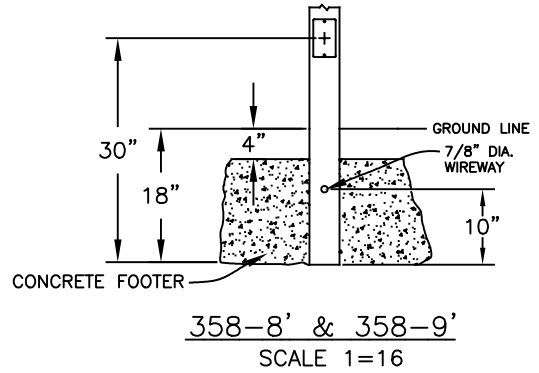
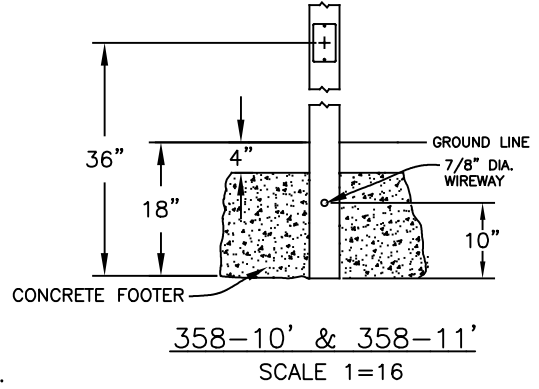
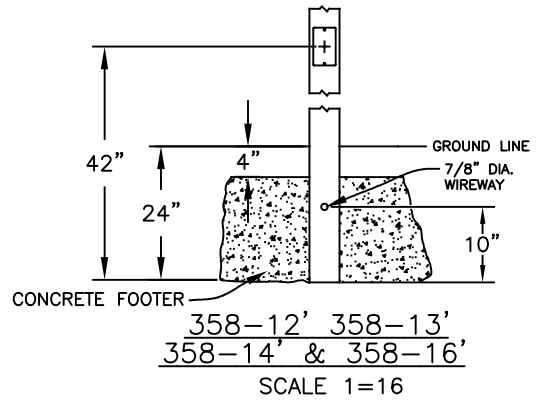
REMOVABLE ALUMINUM
DOOR WITH (2) 8-32
SCREWS. GROUND LUG
WELDED TO REAR OF DOOR
OPENING. OPENING OF
DOOR IS 2" X 4" OBLONG.
(DOOR SUPPLIED ON ALL
POSTS LISTED.)

GROUND LINE

358-10'

POST	ABV. GRND.	BLW. GRND.
358-8	6'-6"	18"
358-9	7'-6"	18"
SHOWN 358-10	8'-6"	18"
358-11	9'-6"	18"
358-12	10'-6"	18"
358-13	11'-6"	18"
358-14	12'-6"	18"
358-16	14'-6"	18"

HEIGHT	8'-6"
WIDTH	4" SQ.
PROJECTION	
TOP TO OUTLET	



Drawing for illustration only - scale approximate



TITLE:
DIRECT
BURIAL
POSTS

SCALE: 1=8	DATE: 10/16/07	DWG BY: KMS	DWG. NO. 358-8' THRU 16'
---------------	-------------------	----------------	-----------------------------