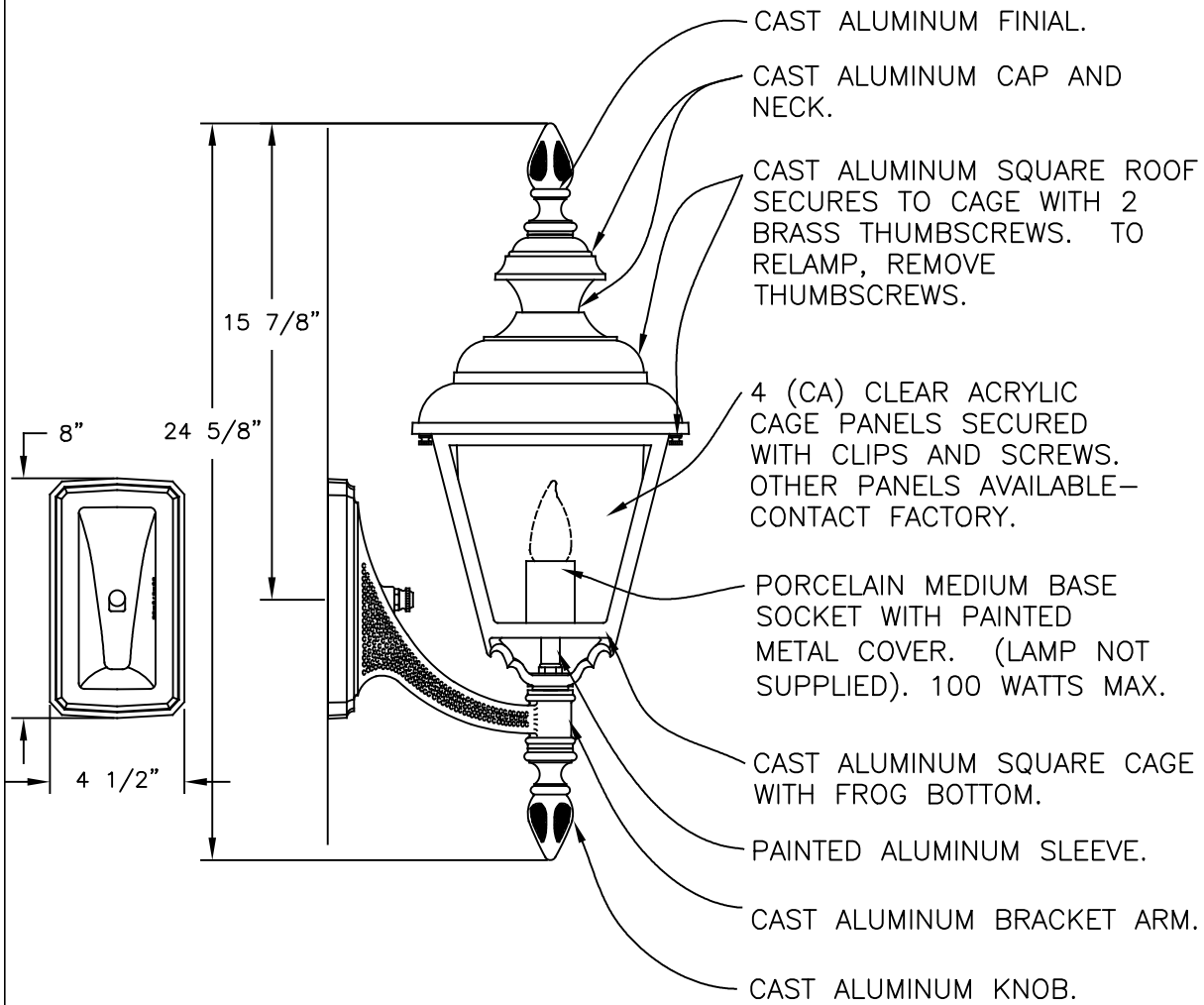


LANTERN TO BE ASSEMBLED AS SHOWN IN TOP VIEW— MOUNTED ACROSS FLATS.



LANTERN IS PREWIRED AND TESTED.
 ALL ELECTRICAL COMPONENTS ARE U.L. LISTED.
 ALL MOUNTING HARDWARE IS SUPPLIED.

HEIGHT	24 5/8"
WIDTH	9 1/4"
PROJECTION	12"
TOP TO OUTLET	15 7/8"

Drawing for illustration only — scale approximate

	<small>425 E. MIDDLE ST. HANOVER, PA 17331 PH: (717) 632-6464 - FAX: (717) 669-2630</small>		<small>TITLE: VALUE LINE™</small> 9900 SERIES WALL BRACKET LANTERN
	<small>SCALE:</small> 1=4	<small>DATE:</small> 02/17/05	<small>DWG BY:</small> JEK