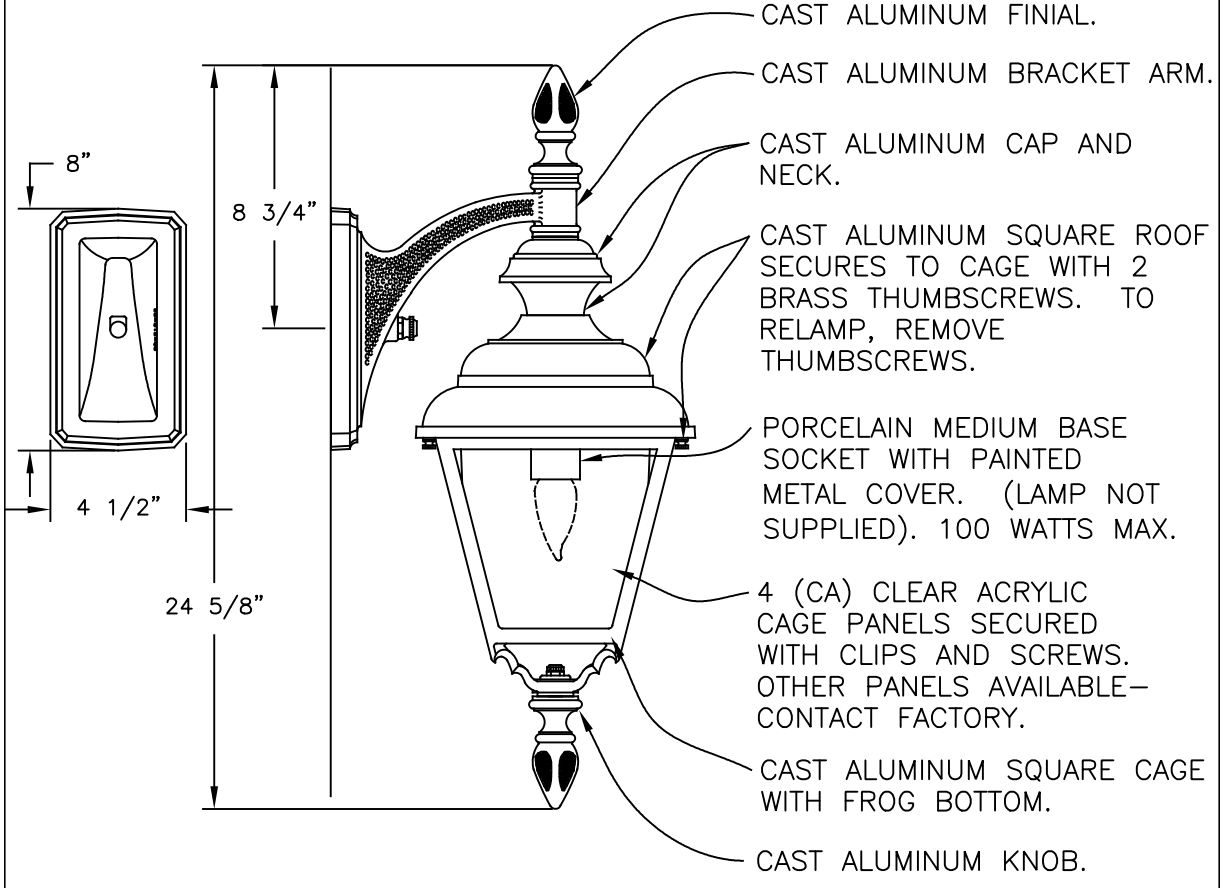


LANTERN TO BE ASSEMBLED AS SHOWN IN TOP VIEW— MOUNTED ACROSS FLATS.



CAST ALUMINUM FINIAL.  
 CAST ALUMINUM BRACKET ARM.  
 CAST ALUMINUM CAP AND NECK.  
 CAST ALUMINUM SQUARE ROOF SECURES TO CAGE WITH 2 BRASS THUMBSCREWS. TO RELAMP, REMOVE THUMBSCREWS.  
 PORCELAIN MEDIUM BASE SOCKET WITH PAINTED METAL COVER. (LAMP NOT SUPPLIED). 100 WATTS MAX.  
 4 (CA) CLEAR ACRYLIC CAGE PANELS SECURED WITH CLIPS AND SCREWS. OTHER PANELS AVAILABLE— CONTACT FACTORY.  
 CAST ALUMINUM SQUARE CAGE WITH FROG BOTTOM.  
 CAST ALUMINUM KNOB.

LANTERN IS PREWIRED AND TESTED.  
 ALL ELECTRICAL COMPONENTS ARE U.L. LISTED.  
 ALL MOUNTING HARDWARE IS SUPPLIED.

HEIGHT	24 5/8"
WIDTH	9 1/4"
PROJECTION	12"
TOP TO OUTLET	8 3/4"

Drawing for illustration only — scale approximate

	<small>425 E. MIDDLE ST. HANOVER, PA 17331          PH: (717) 632-6464 - FAX: (717) 699-2930</small>		<small>TITLE: VALUE LINE™</small> <b>9900 SERIES          WALL BRACKET          LANTERN</b>
	<small>SCALE:</small> 1=4	<small>DATE:</small> 02/17/05	<small>DWG BY:</small> JEK