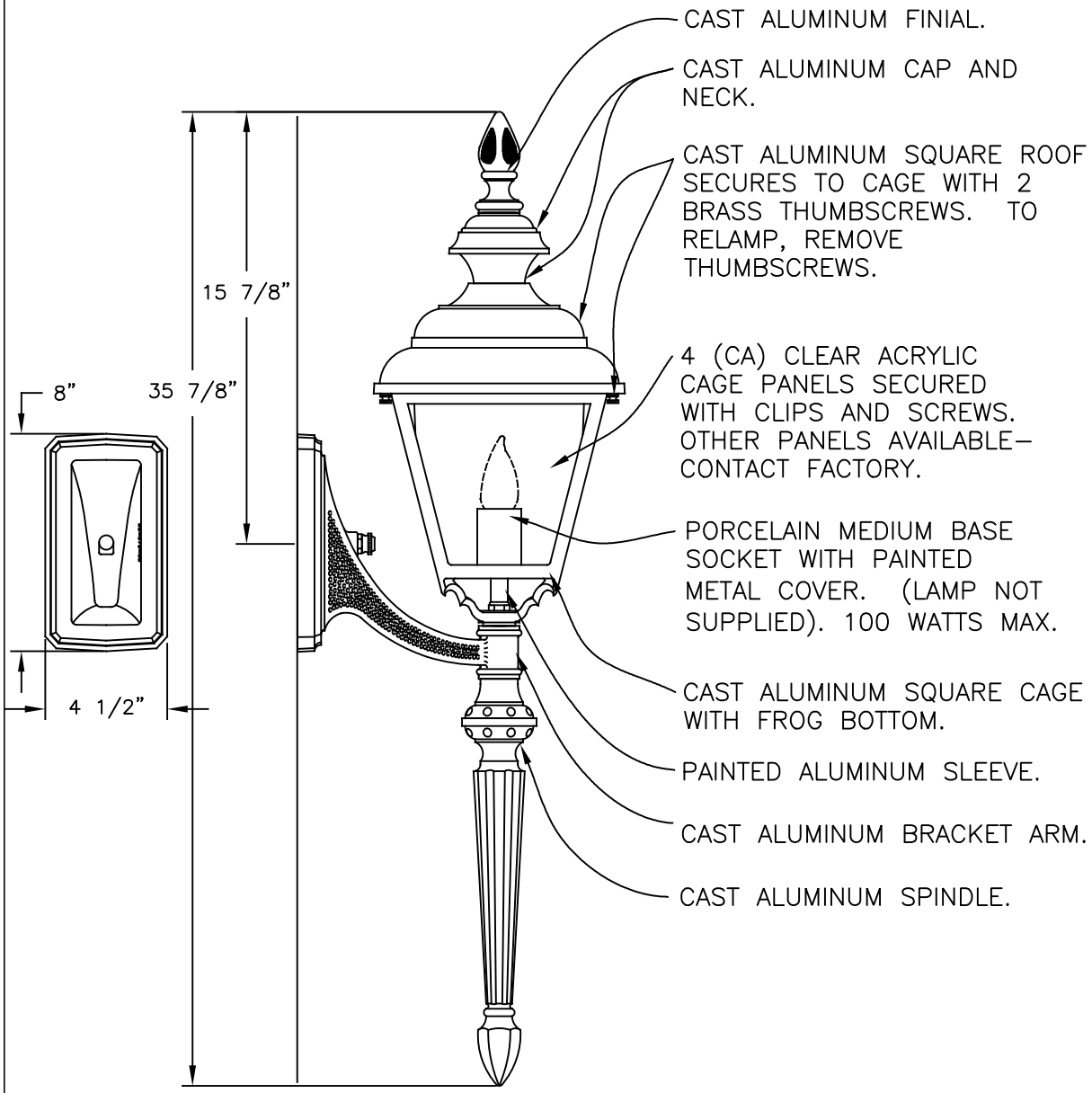


LANTERN TO BE ASSEMBLED AS SHOWN IN TOP VIEW— MOUNTED ACROSS FLATS.



LANTERN IS PREWIRED AND TESTED.
 ALL ELECTRICAL COMPONENTS ARE U.L. LISTED.
 ALL MOUNTING HARDWARE IS SUPPLIED.

| | |
|---------------|---------|
| HEIGHT | 36 7/8" |
| WIDTH | 9 1/4" |
| PROJECTION | 12" |
| TOP TO OUTLET | 15 7/8" |

Drawing for illustration only — scale approximate

| | | | |
|--|--|----------------------------------|--|
| | <small>425 E. MIDDLE ST. HANOVER, PA 17331 PH: (717) 632-6464 - FAX: (717) 699-2930</small> | | <small>TITLE: VALUE LINE™</small> 9900 SERIES WALL BRACKET LANTERN |
| | <small>SCALE:</small> 1=4 | <small>DATE:</small> 02/17/05 | <small>DWG BY:</small> JEK |